

Tube supports

Aluminium / split assembly

SPECIFICATION

Identification No.

No. **2**: with 2 Stainless Steel-Clamping screws DIN 912

Aluminium

plastic coated

black, RAL 9005, textured finish **SW**

blank

matt shot-blasted **BL**

Clamping bores not machined

Socket cap screws DIN 912

Stainless Steel AISI 304

Hexagon nuts DIN 985

Stainless Steel AISI 304

INFORMATION

The clamping bores of GN 231 tube supports are not machined and specially designed for construction tubes GN 990 (see page 1902) or DIN 2391, DIN 2395 and DIN 2462 respectively.

GN 231 tube supports are also suitable for mounting on **profile systems**.

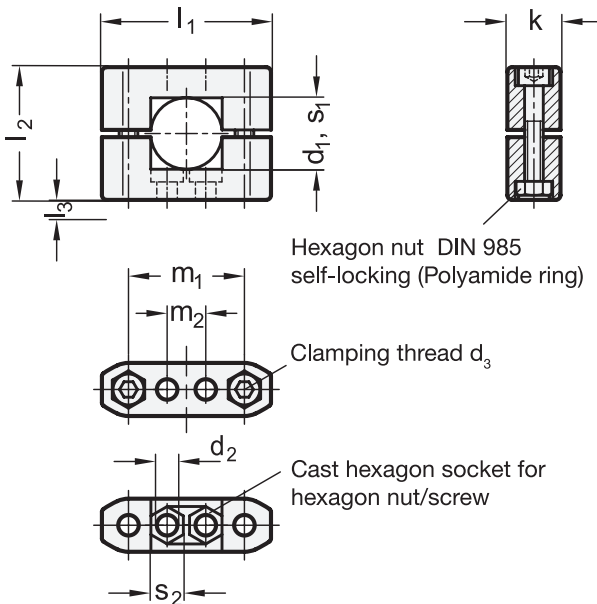
The standard clamping screws are socket cap screws DIN 912. They can be replaced by adjustable clamping kits GN 911 (see page 1874) (article code see table of dimensions).

ACCESSORY

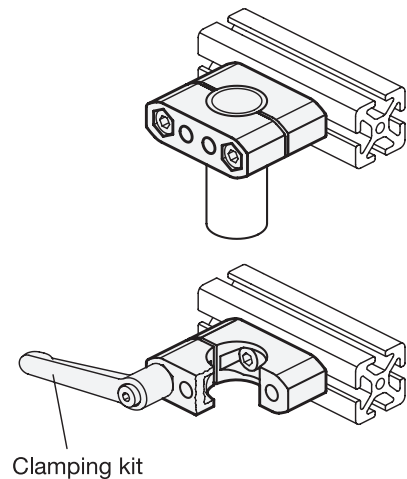
- Clamping kits GN 911 (see page 1874)

TECHNICAL INFORMATION

- Stainless Steel characteristics (see page A26)



Application example:
Tube support mounted on aluminum profile





* Complete with colour index of the Tube supports (SW or BL)

SW
RAL9005

BL
blank

GN 231

Description	d1	s1	d2	d3	k	l1	l2	l3	m1	m2	s2	Clamping kits for d3	⚖️
GN 231-B8-2-*	B 8	-	6.2	M 6	17	52	38	3.5	36	10.5	10	GN 911-M6-32	140
GN 231-B10-2-*	B 10	-	6.2	M 6	17	52	38	3.5	36	10.5	10	GN 911-M6-32	106
GN 231-B12-2-*	B 12	-	6.2	M 6	17	52	38	3.5	36	10.5	10	GN 911-M6-32	100
GN 231-B14-2-*	B 14	-	6.2	M 6	17	52	38	3.5	36	10.5	10	GN 911-M6-32	90
GN 231-B15-2-*	B 15	-	6.2	M 6	17	52	38	3.5	36	10.5	10	GN 911-M6-32	80
GN 231-B16-2-*	B 16	-	6.2	M 6	17	52	38	3.5	36	10.5	10	GN 911-M6-32	70
GN 231-B18-2-*	B 18	-	6.2	M 6	17	52	38	3.5	36	10.5	10	GN 911-M6-32	60
GN 231-B20-2-*	B 20	-	8.5	M 8	22	70	55	4	48	16	13	GN 911-M8-50	160
GN 231-B25-2-*	B 25	-	8.5	M 8	22	70	55	4	48	16	13	GN 911-M8-50	160
GN 231-B30-2-*	B 30	-	8.5	M 8	22	70	55	4	48	16	13	GN 911-M8-50	160
GN 231-B40-2-*	B 40	-	11	M 10	27	100	80	5	73	30	17	GN 911-M10-70	420
GN 231-B42-2-*	B 42	-	11	M 10	27	100	80	5	73	30	17	GN 911-M10-70	400
GN 231-B45-2-*	B 45	-	11	M 10	27	100	80	5	73	30	17	GN 911-M10-70	385
GN 231-B48-2-*	B 48	-	11	M 10	27	100	80	5	73	30	17	GN 911-M10-70	375
GN 231-B50-2-*	B 50	-	11	M 10	27	100	80	5	73	30	17	GN 911-M10-80	359
GN 231-B60-2-*	B 60	-	11	M 10	27	100	90	5	78	30	17	GN 911-M10-80	270
GN 231-V8-2-*	-	V 8	6.2	M 6	17	52	38	3.5	36	10.5	10	GN 911-M6-32	110
GN 231-V10-2-*	-	V 10	6.2	M 6	17	52	38	3.5	36	10.5	10	GN 911-M6-32	106
GN 231-V12-2-*	-	V 12	6.2	M 6	17	52	38	3.5	36	10.5	10	GN 911-M6-32	100
GN 231-V14-2-*	-	V 14	6.2	M 6	17	52	38	3.5	36	10.5	10	GN 911-M6-32	90
GN 231-V15-2-*	-	V 15	6.2	M 6	17	52	38	3.5	36	10.5	10	GN 911-M6-32	80
GN 231-V16-2-*	-	V 16	6.2	M 6	17	52	38	3.5	36	10.5	10	GN 911-M6-32	70
GN 231-V18-2-*	-	V 18	6.2	M 6	17	52	38	3.5	36	10.5	10	GN 911-M6-32	60
GN 231-V20-2-*	-	V 20	8.5	M 8	22	70	55	4	48	16	13	GN 911-M8-50	170
GN 231-V25-2-*	-	V 25	8.5	M 8	22	70	55	4	48	16	13	GN 911-M8-50	170
GN 231-V30-2-*	-	V 30	8.5	M 8	22	70	55	4	48	16	13	GN 911-M8-50	155
GN 231-V40-2-*	-	V 40	11	M 10	27	100	80	5	73	30	17	GN 911-M10-70	380
GN 231-V45-2-*	-	V 45	11	M 10	27	100	80	5	73	30	17	GN 911-M10-70	360
GN 231-V50-2-*	-	V 50	11	M 10	27	100	80	5	73	30	17	GN 911-M10-70	340
GN 231-V60-2-*	-	V 60	11	M 10	27	100	90	5	78	30	17	GN 911-M10-80	300

Weight BL